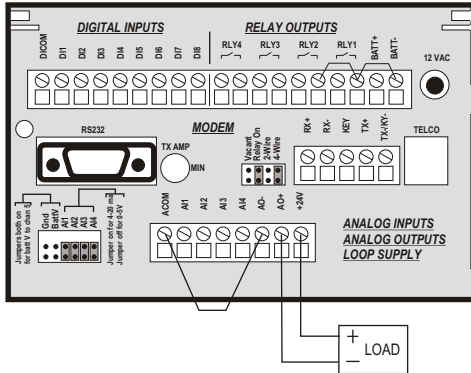
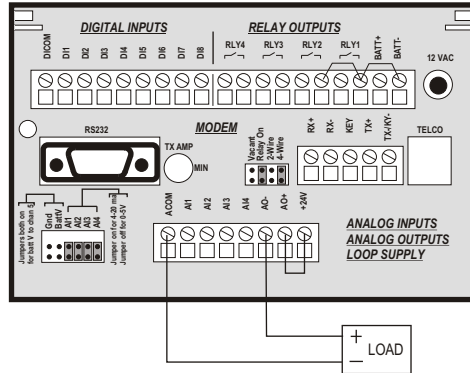


RUG5 RTU

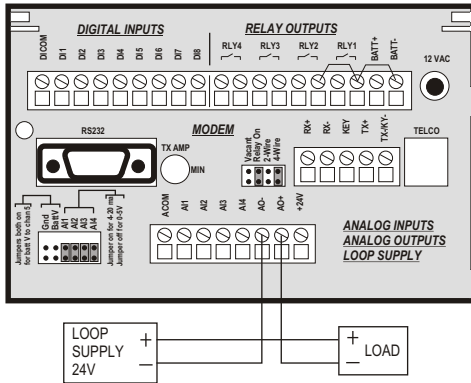


HOOKUP USING R5 LOOP SUPPLY

RUG5 RTU

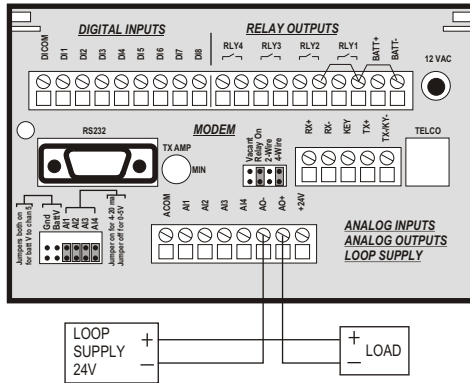


RUG5 RTU

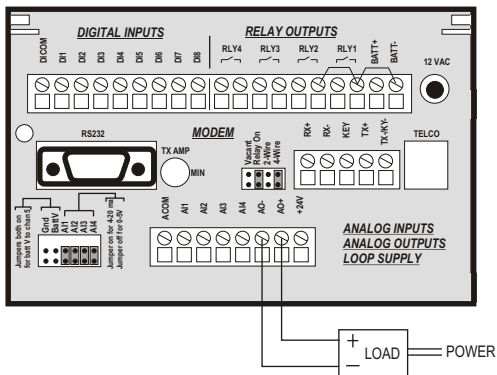


HOOKUP USING EXTERNAL LOOP SUPPLY

RUG5 RTU



RUG5 RTU



HOOKUP TO SELF-POWERED LOAD

This drawing presents different methods of connecting the RUG5 analog output to loads using various sources of loop power. The key thing to remember is that the RUG5 analog output channel hooks up the same as any unpowered two wire 4-20 ma. transducer.

RUG5 ANALOG OUTPUT HOOKUPS

File: R5A0HOOKUPS.cdr By: DAB

Date: 09/17/09 Rev:

RUGID COMPUTER

E-mail: donb@ruidcomputer.com

6305 Elizan DR NW
Olympia, WA 98502
(360) 866-4492 FAX (360) 866-4492